

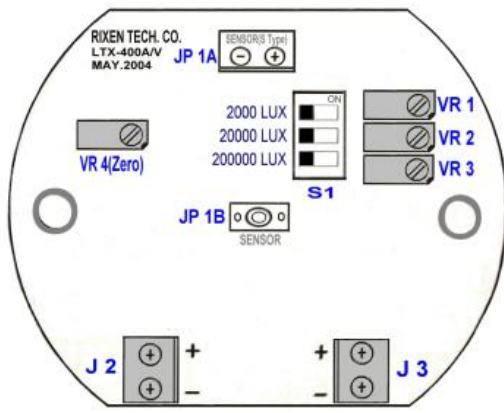
Illuminance Transmitter LXT-401 series

- Model: LXT-401A Current Output Type
- Model: LXT-401V Voltage Output Type

A. Setting range & Signal output

Range	Setting (S 1)	Output of LXT-401A	Output of LXT-401V
L: 0 ~ 2,000 LUX	[S1: 0]	4 ~ 20 mA	DC: 0 ~ 1V, 0 ~ 2V, 0 ~ 5V, 0 ~ 10V (Option)
M: 0 ~ 20,000 LUX	[S1: 1]	4 ~ 20 mA	
H: 0 ~ 200,000 LUX	[S1: 2]	4 ~ 20 mA	

B. Wiring



B-1. LXT-401A (Current Output)

J2 : Output : 4 ~ 20mA Two wire ◦

Power supply : 12 ~ 40VDC

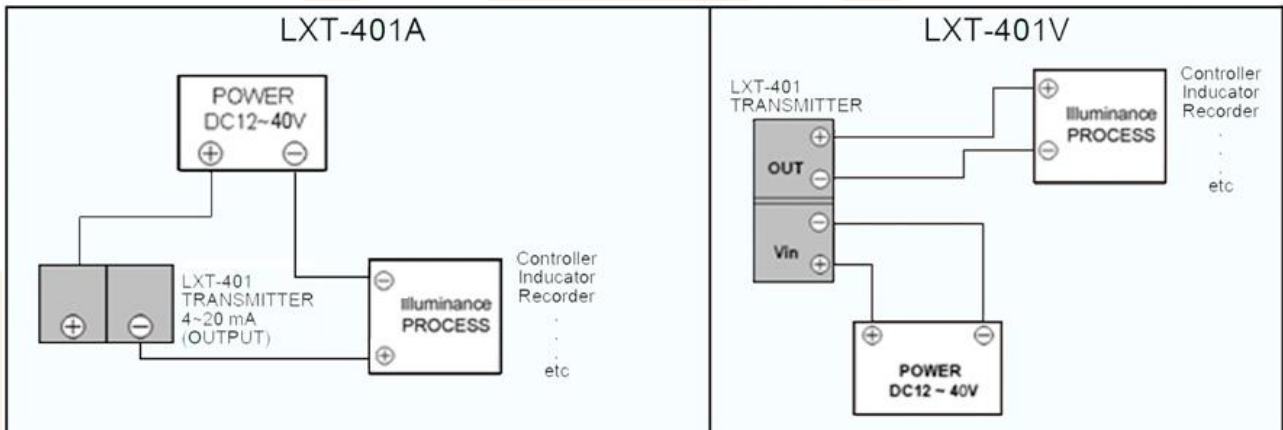
B-2. LXT-401V (Voltage Output)

J2: Power In : 12~ 40VDC ◦

J3: Output (DCV) : 0 ~ 1V , 0 ~ 2V 0 ~ 5V, 0~10V ◦

SENSOR : **JP1A** (For External Sensor) ◦

JP1B (For Built-In Sensor) ◦



C. On-Site Calibration

- ※ **VR 4 (Zero):** Zero Adjustment
- ※ **VR 1,2,3 (Span):** Span Adjustment

D. Range Selecting :(By S1)

Setting Range	Adjustable Range of Span
L : 0~2,000 LUX	VR1 : 2,000 LUX
M : 0~20,000 LUX	VR2 : 20,000 LUX
H : 0~200,000 LUX	VR3 : 200,000 LUX